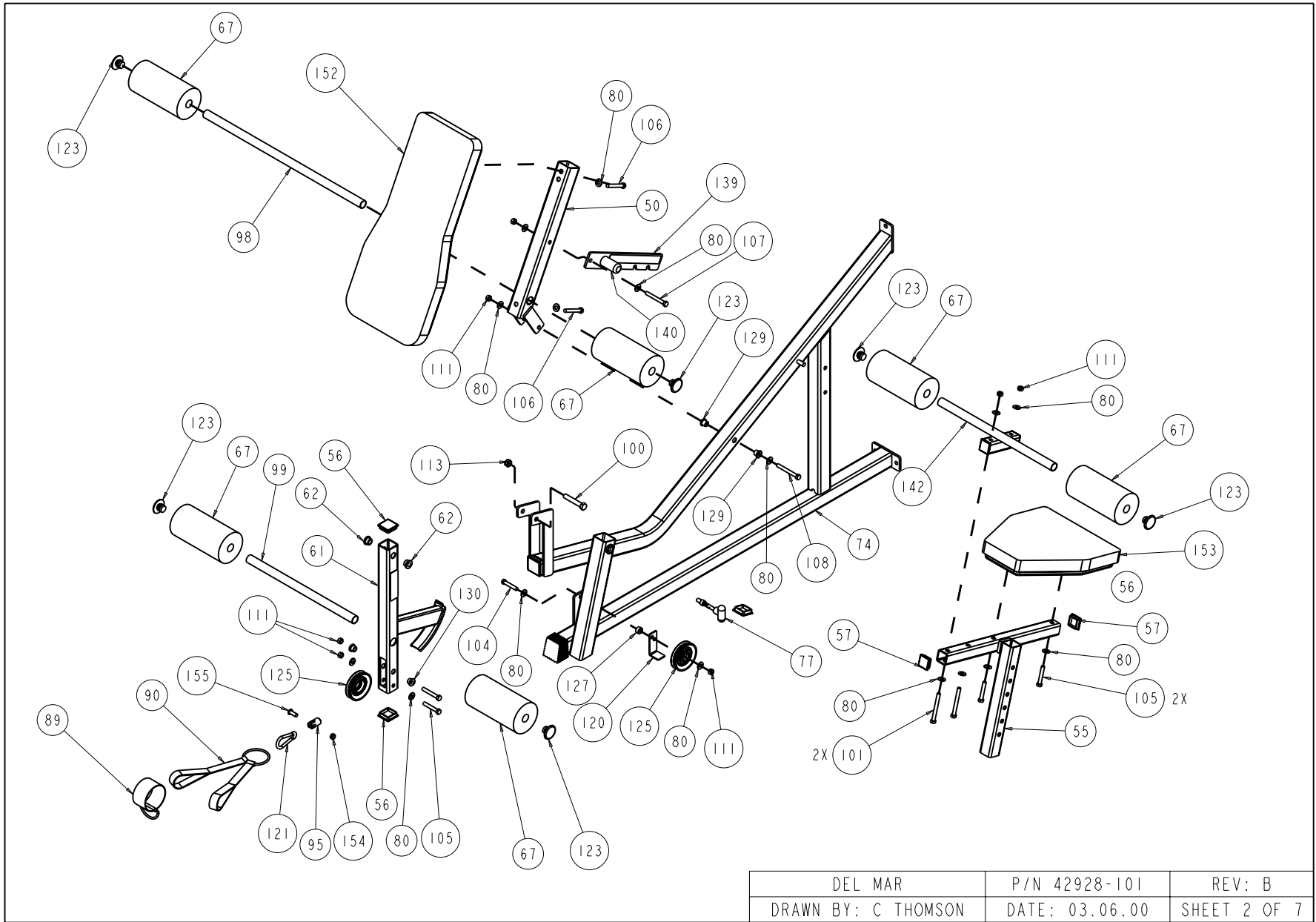
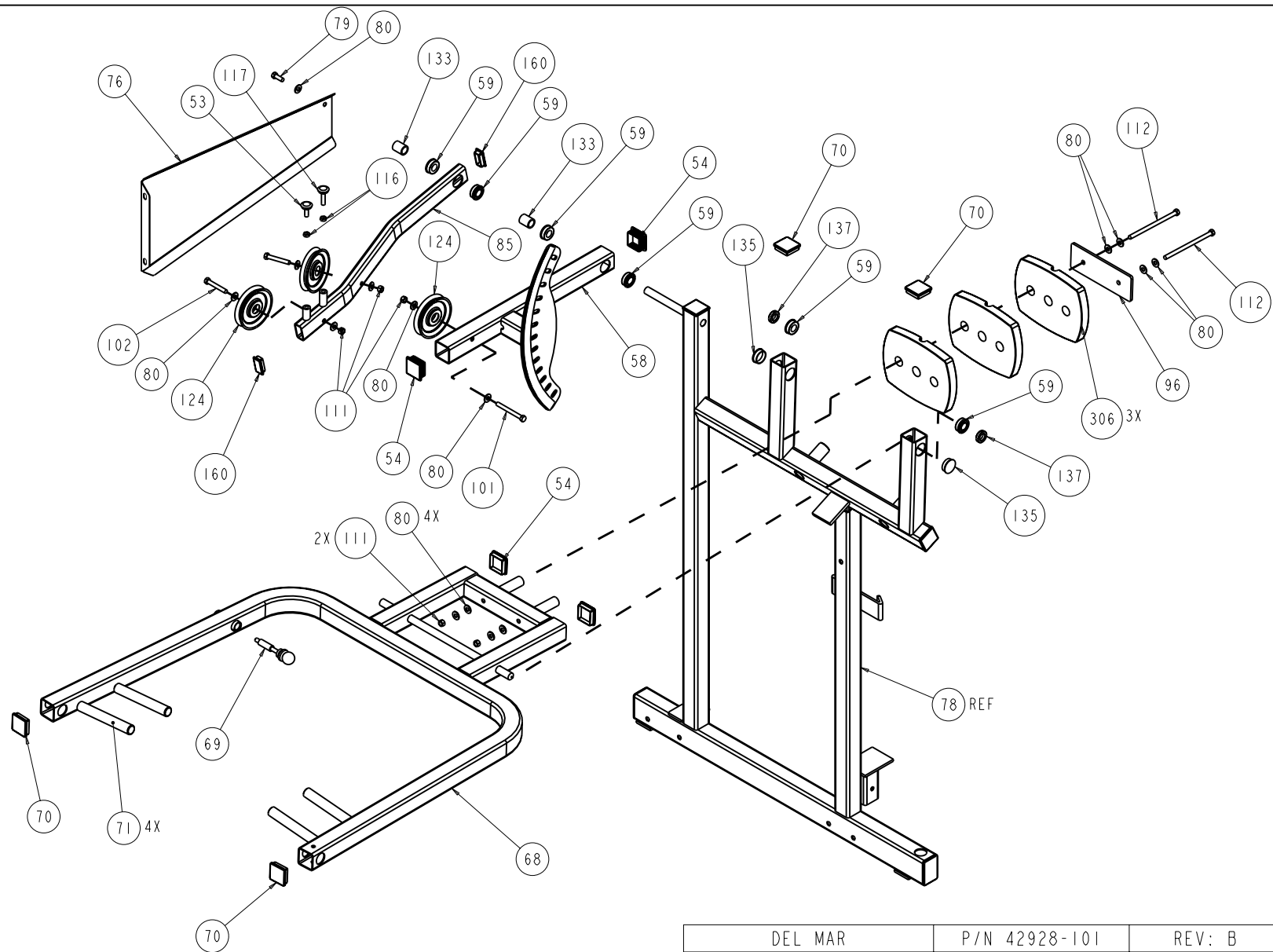
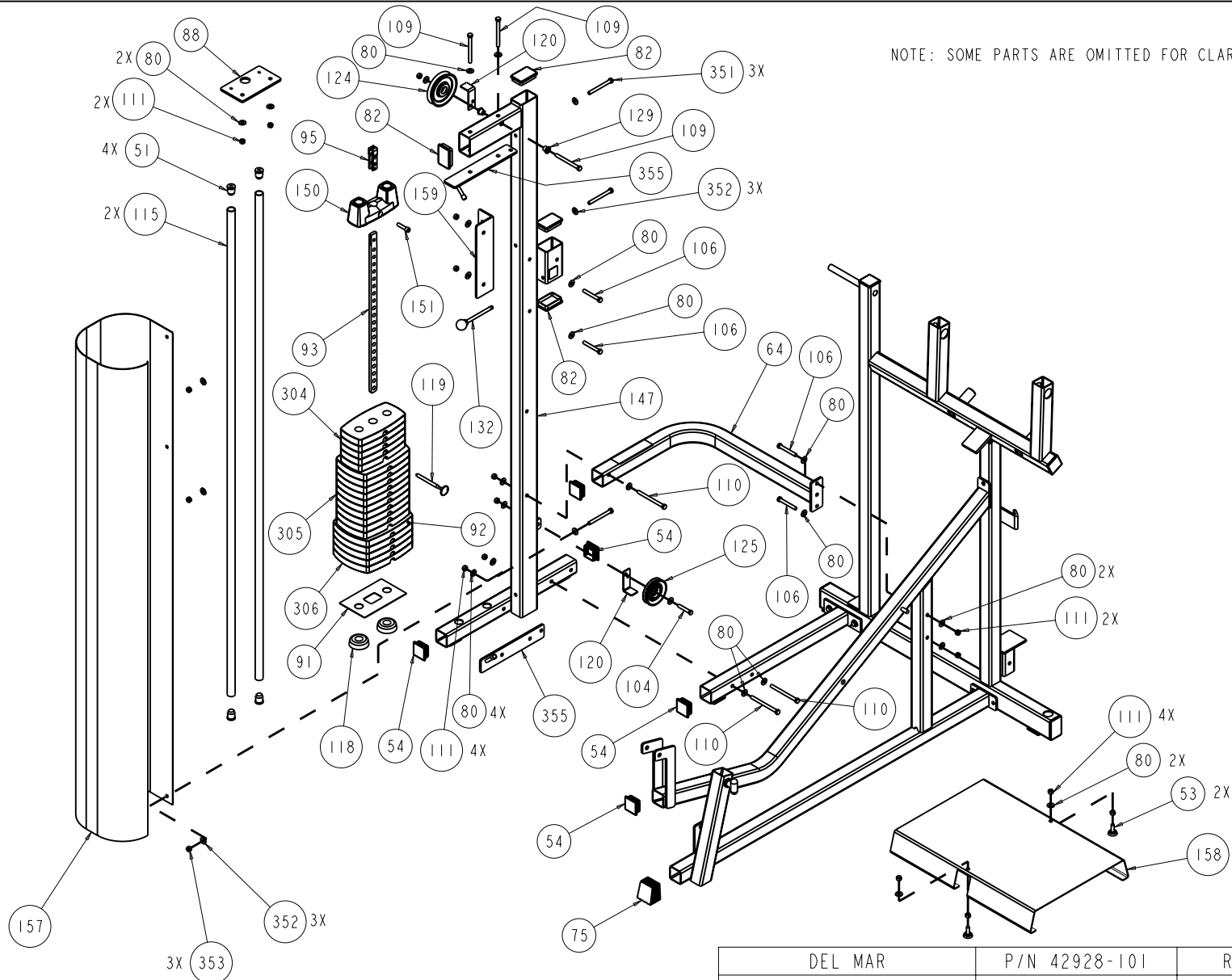


DEL MAR	P/N 42928-101	REV: B
DRAWN BY: C THOMSON	DATE: 03.06.00	SHEET 1 OF 7



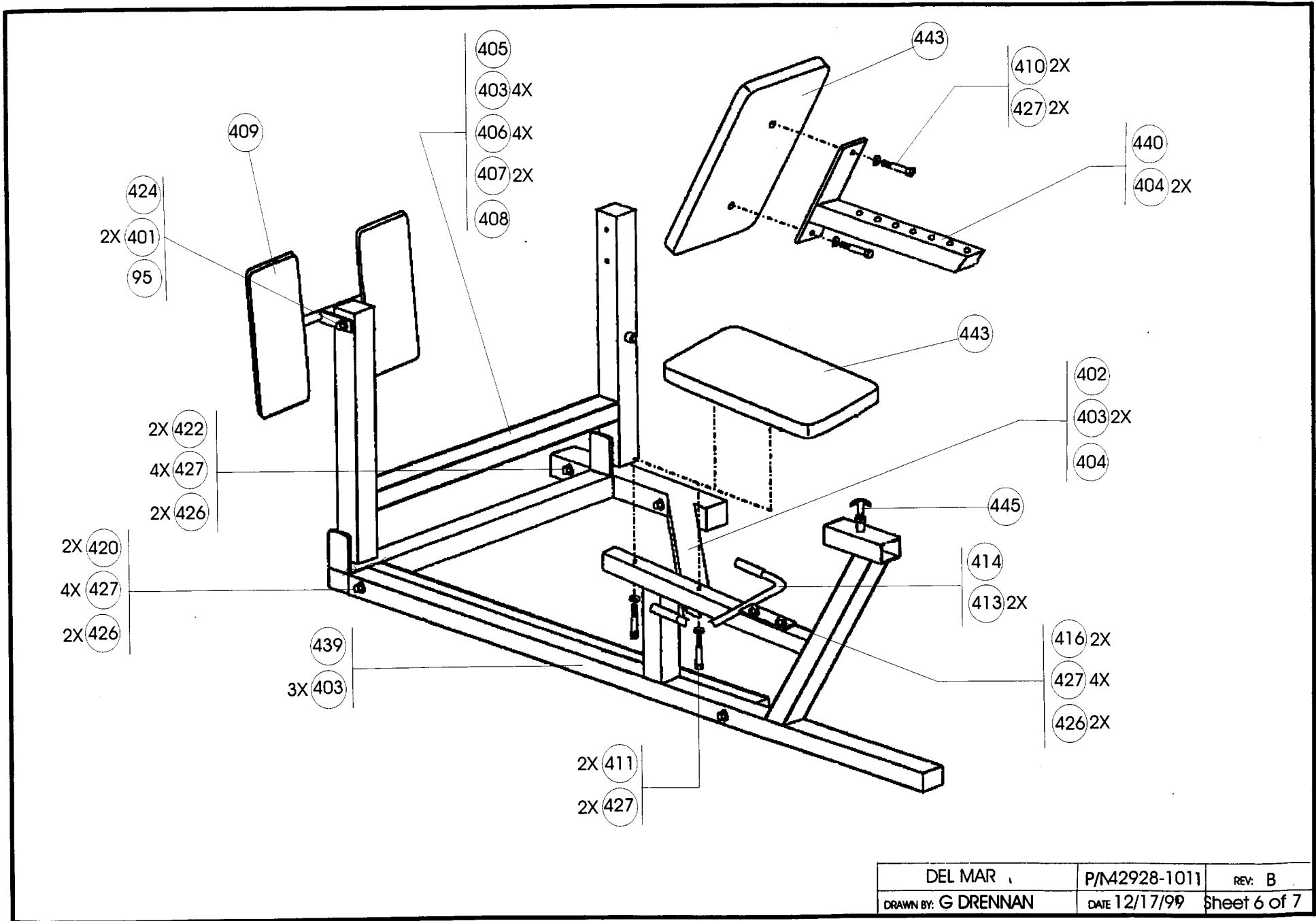


DEL MAR	P/N 42928-101	REV: B
DRAWN BY: C THOMSON	DATE: 03.06.00	SHEET 4 OF 7

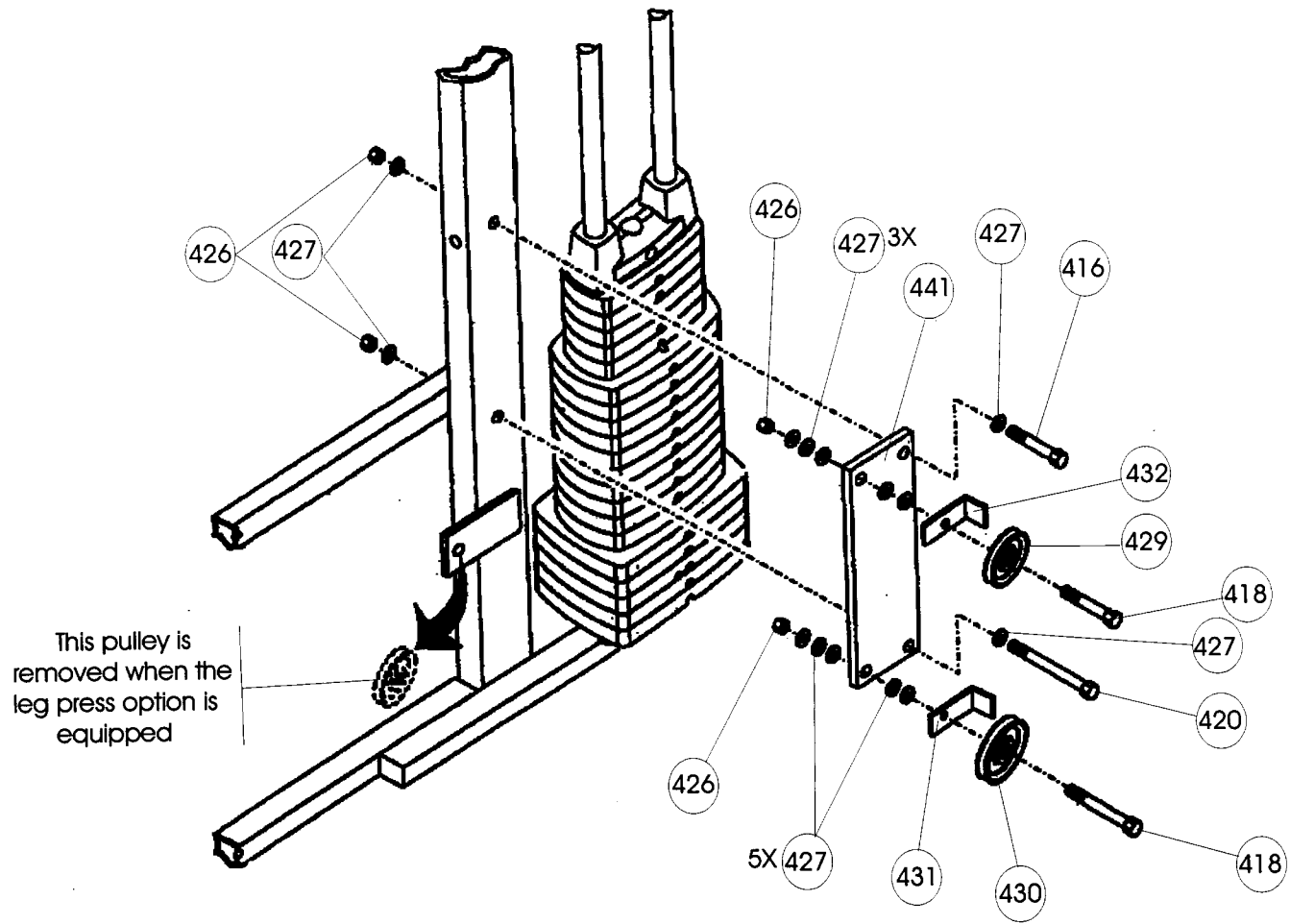


NOTE: SOME PARTS ARE OMITTED FOR CLARITY.

DEL MAR	P/N 42928-101	REV: B
DRAWN BY: C THOMSON	DATE: 03.06.00	SHEET 5 OF 7



DEL MAR	P/M42928-1011	REV: B
DRAWN BY: G DRENNAN	DATE 12/17/99	Sheet 6 of 7



DEL MAR	P/N 42928-101	REV: B
DRAWN BY: G DRENNAN	DATE: 12/17/99	Sheet 7 of 7